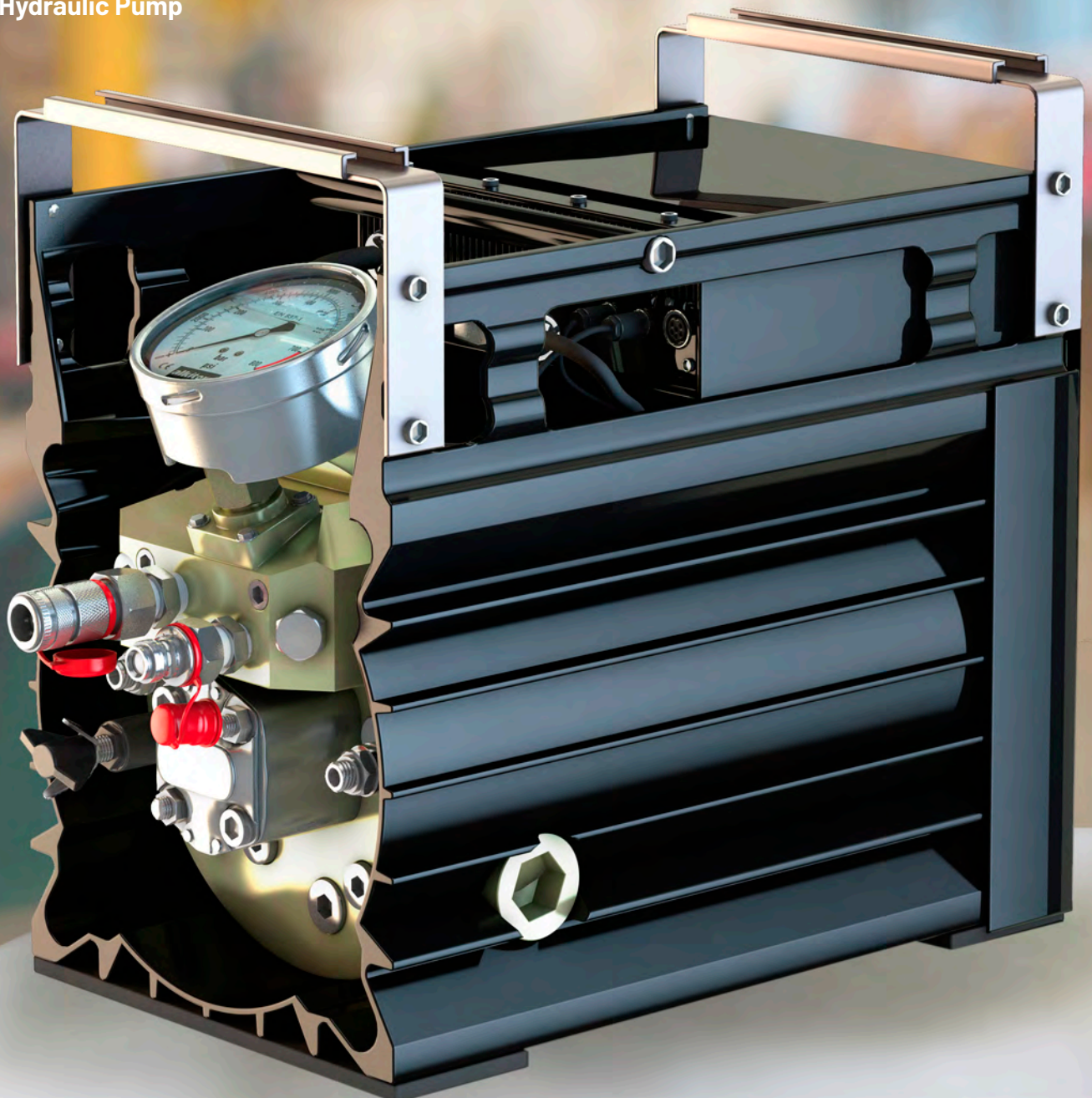


NOVA

Electric Hydraulic Pump



Applications

Electric driven hydraulic pump, **usable worldwide 100-253 V / 45-66 Hz**, up to 700 bar / 10,000 psi for hydraulic wrenches with single or double-acting cylinders.

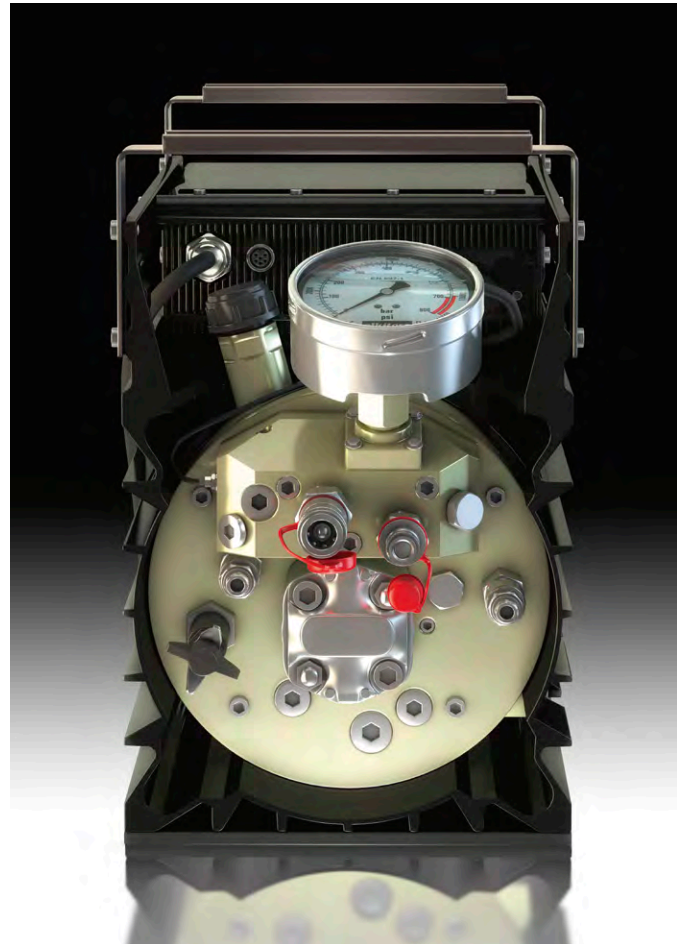
- Duo- or Quattro version (for 2 or 4 wrenches etc.) optional.
- Robust compact design for use on the roughest construction sites.

Advantages

- **Huge oil flow** due to intelligent electronic controlling, powerful motor.
- Easiest automatic operation **for all cylinder sizes** without any manual presetting.
- Ergonomic remote control for manual or automatic operation.

alkitronic® specials

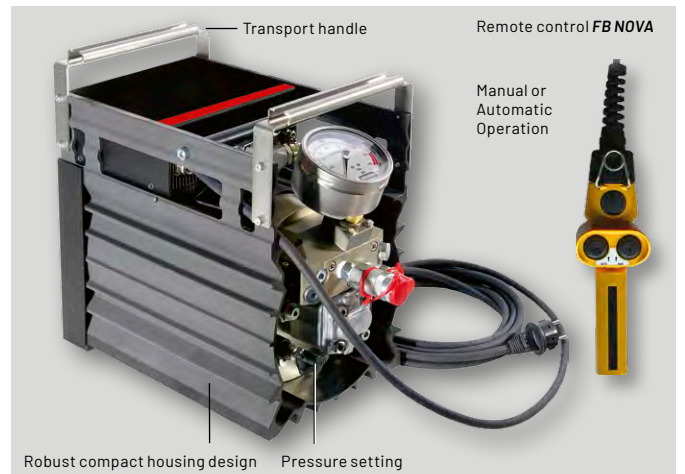
- **No magnetic valve control**
Powerful but gentle changeover from power stroke to idle stroke, due to direction switch of the drive motor, which guarantees high durability of the equipment.
- **Capable of continuous operation – minimal heat generation**
No oil overheating by the innovative motor drive in combination with the automatic mode. The automatic operation only provides the flow supply with the working pressure necessary for efficient bolting.
- **Low running costs**
Brush-free synchronized motor, maintenance-free and low wear. Usable on all international mains supply without any change.



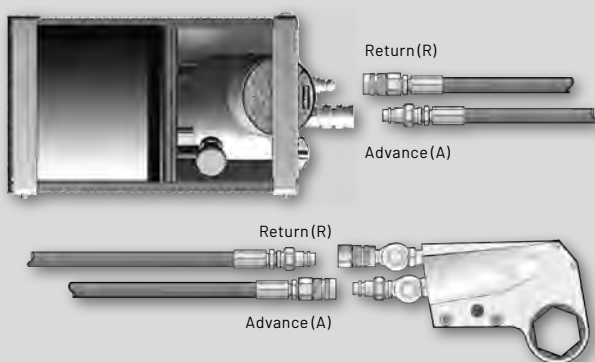
Technical Data

alkitronic® NOVA with infinitely adjustable pressure setting up to 700 bar / 10,000 psi (700 bar / 10,000 psi max. pressure).

Designation	alkitronic® NOVA
Drive electrical	100-253 V / 45-66 Hz
Nominal capacity	3500 W max.
Oil flow:	
low pressure	15 l/min up to 70 bar
medium pressure	10 l/min up to 180 bar
high pressure	1.5 l/min up to 700 bar
Weight including oil	28,5 kg
Dimensions L x W x H (mm)	350 x 220 x 300
Surrounding temperature	-20 °C up to +50 °C



Connection scheme hydraulic hoses



Delivery range: High pressure hoses (DN 8), Length 5m

alkitronic® NOVA multibox



Robust design with load hooks and handles, certified for crane transportation.

alkitronic®
HOME OF TORQUE POWER

alkitronic® products
Made in Germany by
alki TECHNIK GmbH
Development, Production and
Distribution of Bolting Systems

Unterlettenweg 4
85051 Ingolstadt
Germany

fon +49 841 97499-0
fax +49 841 97499-90

info@alkitronic.com
www.alkitronic.com