

AX

Hydraulic
Torque Wrench



Applications

- Hydraulic torque wrench with two hydraulic hose system for tightening or loosening heavy bolt connections.
- **alkitronic® AX** convertible type torque wrench up to 49,000 Nm. Drive element with interchangeable hexagon link from 14 to 145 mm.

Advantages

- Simple handling and low weight.
- Economic construction with few single components.
- High efficiency with minimum maintenance requirements and low costs.
- Hard-wearing, ergonomically shaped housing design, made of high-density aluminium alloy.
- Highly flexible due to simple, fast changing of the hexagon links. Trouble-free support without affecting the torque accuracy by lateral force.

alkitronic® specials

- Convenient, secure and reliable individually pivoting joint couplings (360°). Capable of withstanding up to 4x higher maximum operating pressure.
- Robust ratchet with fine teeth for high torque accuracy and a max. stroke of 28°.
- Constructive precise guided drive element.
- **alkitronic® AX** developed for applications in restricted space and difficult to access areas: Drive element and hexagon link in line, extremely flat and flush design.



Technical Data

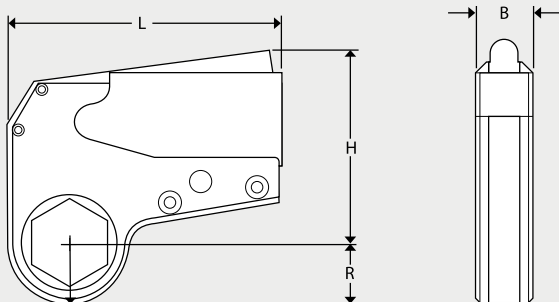
Type		AX 1	AX 2	AX 4	AX 8	AX 16	AX 32 ***
Torque range (approx.)*	Nm	60-770	260-2600	540-5400	1150-11900	2150-22900	4450-49000
	lbf.ft	45-560	192-1928	395-3950	830-8630	1560-16600	3220-35650
Hexagon	AF ** mm	14-32	27-55	36-70	55-95	80-115	95-145
Radius (approx.) from-to	R mm	19-25	26-42	34-52	46-79	63-87	82-109
Width	B mm	24	38	47	58	70	92
Length	L mm	111	167	203	253	330	390
Height	H mm	83	103	144	180	194	278
Weight (approx.)	kg	1	2.5	5.18	10.7	16.5	25

*) When loosening a bolted connection, up to 20% higher torque may be required (loosening torque). We will gladly advise you in detail. Ask us about: **) other AF sizes ***) models with larger torque range.

Important for the exact reproducibility of the specified torque is a pressure of max. 700 bar. Repeatability ±3%.

For a fast, safe and reliable operation of the hydraulic torque wrenches we recommend our **alkitronic® NOVA** or **VELOX** hydraulic pumps (700 bar pressure, can be used worldwide in all mains grids 100-253 V / 45-66 Hz).

Model **alkitronic® AX**



alkitronic® AX, when fitting a flange in plant construction.

alkitronic®
HOME OF TORQUE POWER

alkitronic® products
Made in Germany by

alki TECHNIK GmbH
Development, Production and
Distribution of Bolting Systems

Unterlettenweg 4
85051 Ingolstadt
Germany

fon +49 841 97499-0
fax +49 841 97499-90

info@alkitronic.com
www.alkitronic.com