



EA

Battery driven
torque multiplier

Applications

- **alkitronic® EA:** Battery driven 2-speed torque multiplier for torques from 90 Nm to 4,000 Nm (65 to 2,950 lbf.ft).
- **Short fastening cycles:** Fast gear for run down and power gear for highest torques and precision.
- **Mobile and always ready for use:** Compact design for convenient working in limited spaces or without power supply.
- **Efficient operation:** Fast and easy gear-changing, great torque range - you can choose from 22 torque values.

Advantages

- **Low running costs:** The low-wear, brushless, synchronous motor is maintenance free.
- **Health-preserving:** Lowweight, ergonomically designed, low noise emissions. No noise protection necessary.
- **High performance:** Two lithium-ion battery packs ensure up to 360 screw joints in a row. Each battery features an LED charge level indicator.
- **Exact shut-off torque** even at low battery levels.

alkitronic® Specials

- **Very low susceptibility to damage and failure:** Motor housing made of special polymer: Break-proof, impact-proof and resistant to corrosion.
- **Intelligent energy management and faster workflow:** Electronics protects battery cells from overcharging and depth discharge. Cooled battery packs during recharging. This reduces charging times and enhances maximum performance and durability.
- **Proven high-performance gears,** produced in a chip-free high-precision process.

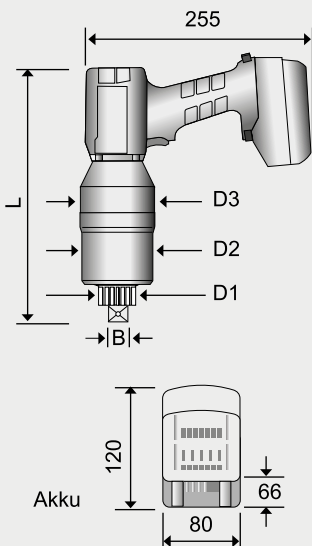


Technical Data

Type		EA2 / 80	EA2 / 150	EA2 / 200	EA2 / 280	EA2 / 300	EA2 / 400
Torque range (approx.)*	Nm	115-860	150-1400	250-2200	300-2800	360-3200	500-4100
	lbf.ft	85-635	110-1030	185-1620	220-2065	265-2360	370-3025
Square drive	B	3/4"	3/4"	1"	1"	1"	1 1/2"
Diameter (approx.)	D ₁	41	41	54	54	72	72
Diameter (approx.)	D ₂	85	85	85	85	93	93
Diameter (approx.)	D ₃	88	88	88	88	97	97
Length (approx.)	L	295	295	320	345	370	370
Weight without DMA (approx.)**	kg	5.5	5.5	7.0	7.4	7.4	9.1
Idle speed 1 st gear	rpm	7.0	4.0	2.0	1.7	1.5	1.0
Idle speed 2 nd gear	rpm	24.0	13.0	6.5	6.0	5.0	4.0

*) When loosening bolts, a higher torque (up to 20 %) may be necessary (release torque). We will be pleased to help you with your choice. **) Torque reaction arm

Measurements



Scope of Delivery



Repeat shut-off accuracy $\pm 3\%$ (same bolting connection).
All **alkitronic®** torque multipliers are CE-certified.

alkitronic®
HOME OF TORQUE POWER

alkitronic® products
Made in Germany by

alki TECHNIK GmbH
Development, Production and
Distribution of Bolting Systems

Unterlettenweg 4
85051 Ingolstadt
Germany

fon +49 841 97499-0
fax +49 841 97499-90

info@alkitronic.com
www.alkitronic.com