

alkitronic® -M

...efficient and independent of energy

alkitronic® -manual power driver - the tool for torque - precise tightening and loosening of heavy-duty screwed connections. Low energy input - high torque transfer. The integrated one - or two-stage planetary gear multiplies the input force expended. There is an optimum range of models for each requirement category - from 1.500 Nm up to 50.000 Nm.

Universal fields of application such as industrial assembly work, maintenance enterprises, mining, chemical industry, heavy engineering industry, ship-building, heavy-duty transport, transport utilities ...



Problem-free loosening - controlled tightening
Efficient, precise, safe
Compact, robust design - maintenance-free
Extensive range of accessories

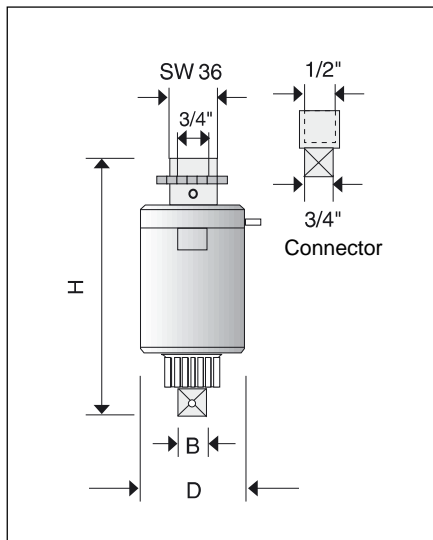
alki
TECHNIK
GMBH

...handy
- small
- tried



alkitronic® - manuel power driver

Series H / HG



General data

- **alkitronic®-manuel power driver**, reach torques up to 50.000 Nm.
- No further auxiliary units required

All **alkitronic®-manuel power drivers** are furnished with ratchets. Types H 10 and H 15 are also available without ratchets. The high - precision ratchet makes it possible for all jobs to be performed with an extreme degree of efficiency, even if very short ratchet movements are exerted. All sun wheels of all **alkitronic®-manuel power drivers** are manufactured using a high - precision process. Non - cutting - in order to ensure the highest possible stress and absolute minimum wear. The tooth is permanently fixed to the support without any internal boring. The sun wheels are embedded in bearings on both sides. The compressed collet chuck steel, with the solidity of forged parts, guarantees that **alkitronic precision gear wheels** can be subjected to the highest possible load factor.



Note: The exactness of the torque transfer is dependent on the tolerance of the torque wrench used.

Technical data

Series H/HG	Type	without ratchets									
		H10**	H15	HG10**	HG15	HG20	HG30	HG40	HG50	HG60	HG80
Power * (approx.) Nm		1500	2000	1500	2000	3500	5000	6000	8000	11500	50000
Square drive	B	1/2" / 3/4"	1"	1/2" / 3/4"	1"	1"	1 1/2"	1 1/2"	1 1/2"	1 1/2"	2 1/2"
Setting under		4	4	4	4	16	18	20	24	28	180
Diameter	mm D	85	85	85	85	85	98	123	148	173	275
Height	H	180	200	180	200	235	250	280	280	290	360
Weight	kg	3,5	4	3,5	4	6	7	15	16	28	58
Prices	EUR										

*) At maximum load, please note that there is an available reserve of 20% for possibly increased loosening torques.

**) Overloading of square drive 1/2" and 3/4" means driving breakage. The shearing pin for security will not help much in this case.

The following drive options are available for **alkitronic®-manuel power driver**:

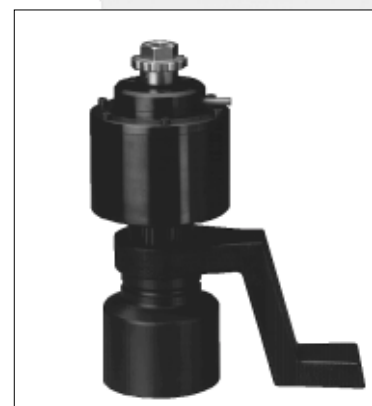
3/4" internal square socket torque wrench or conventional ratchets external hexagonal socket SW 36 mm.
Connector: 1/2" internal square socket - 3/4" external square socket
Handwheel - for positioning of loose screws.

Ratchet or torque wrenches available as optional accessories!

alkitronic®-manuel power driver are supplied with a support arm as a standard version.
For support rings and back stops, see the **alkitronic®** list of accessories.

alkitronic®-manuel power driver provide safe, economic and problem-free operation. They replace impact wrenches, pipe extensions and other insufficient methods. They improve on-the-job safety and provide short assembly times.

You should make use of an **alkitronic®-manuel power driver** in future!



Made in Germany

m/alki/2/1299/R

Specifications subject to change without notice

alki
TECHNIK
GMBH

Münchener Str. 53, D-85051 Ingolstadt
Phone + 49 8 41/ 9 74 99-0
Telefax + 49 8 41/ 7 50 41
e-Mail: alkitechnik@t-online.de
Internet: <http://www.alkitechnik.de>

Frau Jördens bitte gleich übersetzen und an Nr.: 67926 faxen
(Text für alkitronic-M unter der Nm Tabelle)

**) Leistungsgrenze bei Abtriebsvierkant 1/2" u. 3/4" ist gleich Vierkantbruch. Hierbei kann die Scherstift-Sicherungsfunktion wirkungslos werden.

Danke - mfG. Schmidt