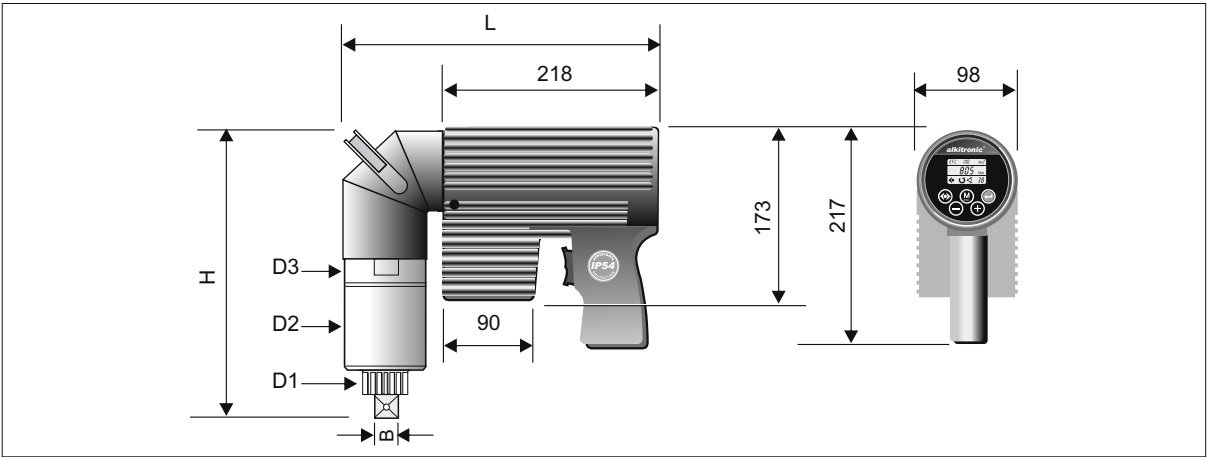


Technical Data

alkitronic® - ECWip / ECWip plus



Annotations:

Torque ranges are in accordance with the torque chart.

The following torque ranges are theoretical standard dates based on an aligned tool electronic.

Repeatable accuracy for switch off $\pm 3\%$ for identically soft and hard joints.

Depending on soft and hard joints M_0 deviations are possible.

Series	ECWip...and...plus	Type	ECWip 10	ECWip 20	ECWip 30	ECWip 40	ECWip 50	ECWip 60	ECWip 65	ECWip 70	ECWip 80	ECWip 90	ECWip 100
Torque range*	Nm		60-420	80-620	150-1050	250-1510	300-1830	450-2430	500-3000	600-3480	750-4260	980-5030	1260-6500
Square Drive	B		3/4"	3/4"	3/4"	1"	1"	1"	1" / 1 1/2"	1 1/2"	1 1/2"	1 1/2"	1 1/2"
Diameter D ₁	approx.	mm	41	41	41	54	54	54	54/72	72	72	72	72
Diameter D ₂	approx.	mm	85	85	85	85	85	85	85	98	98	105	105
Diameter D ₃	approx.	mm	88	88	88	88	88	88	88	98	98	110	110
Length L		mm	310	310	310	310	310	310	310	318	318	326	315
Height H		mm	249	249	249	300	300	305	305	315	315	345	350
Weight w/o support	approx.	kg	12	12	12	13	14	14	14	16	16	15,8	18
Idle speed	approx.	rmin ⁻¹	78	40	26	17	15	14	14	11	9	6	3,5

* Attention: Loosening torque of bolt might be up to 20% higher. Take care to secure and stable the reaction support.

Subject to change without prior notice / E & OE / Figures can differ depending on type.



alki-Technik GmbH
Unterlettenweg 4
D-85051 Ingolstadt

Tel.: +49 841 97499-0
info@alkitechnik.de
www.alkitechnik.de