

**AT**  
**ATZ**



*space-saving*  
*efficient*  
*reliable*



Hydraulic Wrenches

**alkitorc<sup>®</sup>**

# alkitorc® Convertible Type - Torque Wrench ATZ

**Extreme Low Profile, Engineered to fit the tightest applications!**



The **alkitorc ATZ** drive element and the **alkitorc ATK** hexagon link are easily interchangeable. The **Tru-Swivel** hose connector assures a safe and comfortable handling.

- **alkitorc Tru-Swivel** - Advanced patented, Multi-Axis design provides a low profile combined with ease of motion.
- **Finely Crafted** - of the highest quality Materials for unrivaled strength and long life.
- **Unique Ratchet Tooth Design** - for superior durability and accuracy.

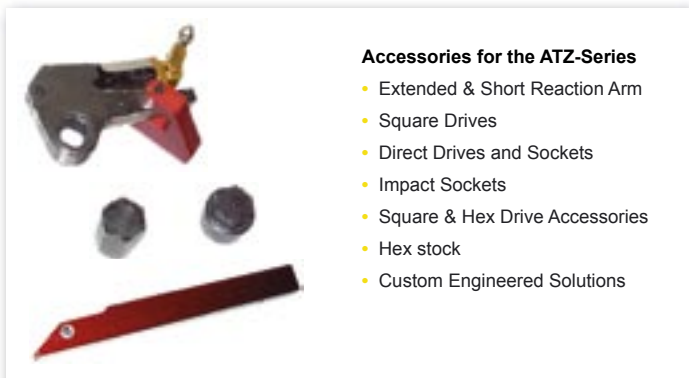


Patented multi-axis swivel, provides for better accessibility and prevents hose kinking.



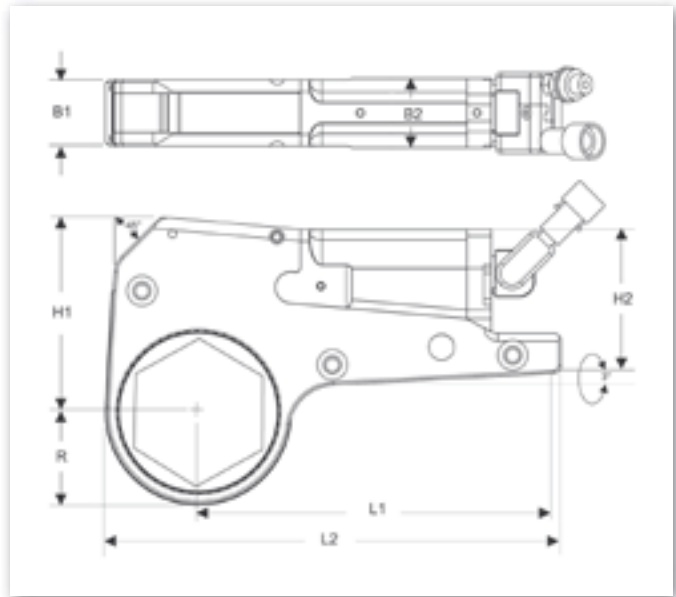
Step-down sleeves are available in all sizes.

- **Unique** - "Wide Track" Ratchet Pawl Mechanism distributes stress better than other designs for longer tool life.
  - **Comparable width link and cylinder** - due to oval piston design.
  - **Tight Radius Link cassettes** - for applications with a minimum of clearance.
- alkitorc - accessories highly an economical aspect -**  
when choosing from our versatile accessories you will reach a much wider range of application.



#### Accessories for the ATZ-Series

- Extended & Short Reaction Arm
- Square Drives
- Direct Drives and Sockets
- Impact Sockets
- Square & Hex Drive Accessories
- Hex stock
- Custom Engineered Solutions



ATZ  
Cylinder

## Technical Details Hydraulic Torque Wrenches ATZ

Type / Ref-No.		ATZ 2	ATZ 4	ATZ 8	ATZ 16	ATZ 32
Hexagon Link SW (mm) from - to		27 - 46	36 - 70	55 - 90	80 - 115	80 - 145
Torque from - to	Nm	270 - 2500	560 - 5200	1120 - 11200	2240 - 21700	4900 - 47500
	ft.lb	200 - 1900	400 - 3800	800 - 8000	1600 - 16000	3500 - 35000
Drive Element Weight *	kg	1.6	2.6	4.6	7	11
Width (mm)	B2	32	44.5	53.4	62.2	71

\* Without support and square drive  
Accuracy of  $\pm 3\%$  at max. pressure of 700 bar - Bolt ranges are just standard values.

# alkitorc® Convertible Type - Torque Wrench ATZ

## Standard Program *alkitorc* - Hexagon Link ATK for ATZ



### Technical Details Hexagon Link ATK

compatible with ATZ drive element

Order example: ATK 2 - SW30

all dimensions in mm

ATK 2	SW 27	SW 30	SW 32	SW 36	SW 41	SW 46								
Weight	kg	1.1	1.2	1.3	1.4	1.5	1.6							
B1	mm	32	32	32	32	32	32							
H1	mm	98	98	98	98	98	98							
H2	mm	88	88	88	88	88	88							
R	mm	26	28	28	31	33	36							
L1	mm	178	178	178	178	178	178							
L2	mm	226	226	226	226	226	226							

ATK 4	SW 36	SW 41	SW 46	SW 50	SW 55	SW 60	SW 65	SW 70						
Weight	kg	2.4	2.6	2.8	3	3.2	3.4	3.5	3.6					
B1	mm	41	41	41	41	41	41	41	41					
H1	mm	121	121	121	121	121	121	121	121					
H2	mm	96	96	96	96	96	96	96	96					
R	mm	33	36	39	42	44	47	50	53					
L1	mm	214	214	214	214	214	214	214	214					
L2	mm	272	272	272	272	272	272	272	272					

ATK 8	SW 55	SW 60	SW 65	SW 70	SW 75	SW 80	SW 85	SW 90						
Weight	kg	8	8.2	8.4	8.6	8.8	9	9.2	9.4					
B1	mm	53	53	53	53	53	53	53	53					
H1	mm	157	157	157	157	157	157	157	157					
H2	mm	154	154	154	154	154	154	154	154					
R	mm	47	49	52	55	58	64	68	70					
L1	mm	287	287	287	287	287	287	287	287					
L2	mm	363	363	363	363	363	363	363	363					

ATK 16	SW 80	SW 85	SW 90	SW 95	SW 100	SW 105	SW 110	SW 115						
Weight	kg	11	11.3	11.8	11.8	12.5	12.5	13	13					
B1	mm	62	62	62	62	62	62	62	62					
H1	mm	184	184	184	184	184	184	184	184					
H2	mm	216	216	216	216	216	216	216	216					
R	mm	70	73	76	76	83	83	89	89					
L1	mm	356	356	356	356	356	356	356	356					
L2	mm	456	456	456	456	456	456	456	456					

ATK 32	SW 80	SW 85	SW 90	SW 95	SW 100	SW 105	SW 110	SW 115	SW 120	SW 125	SW 130	SW135	SW140	SW 145
Weight	kg	21	22	24	24	26	26	28	28	29	31	33	35	37
B1	mm	82	82	82	82	82	82	82	82	82	82	82	82	82
H1	mm	267	267	267	267	267	267	267	267	267	267	267	267	267
H2	mm	277	277	277	277	277	277	277	277	277	277	277	277	277
R	mm	94	94	94	94	94	94	94	102	102	102	116	116	116
L1	mm	407	407	407	407	407	407	407	407	407	407	407	407	407
L2	mm	489	489	489	489	489	489	489	489	489	489	489	489	489

Further sizes - upon request

alkiTechnik reserves the right to change specifications without prior notice

# alkitorc® Hydraulic Torque Wrenches AT

ENGINEERED FOR QUALITY . . . BUILT TO LAST!



**alkitorc AT Torque Wrenches**, are conceptionally and constructively advanced torque wrenches that provide torques up to approx. 34,600 Nm. The highly developed technology is proven to be effective and meets the high demands for easy handling, on the job safety and solidity.

- **Patented Zero Deflection Housing** - For Exceptional Strength, resulting in longer tool life and less repair cost.
- **alkitorc Tru-Swivel** - Advanced patented, Multi-Axis design provides a low profile combined with ease of motion.
- **Finely crafted** - of the highest quality for unrivaled strength and long life.

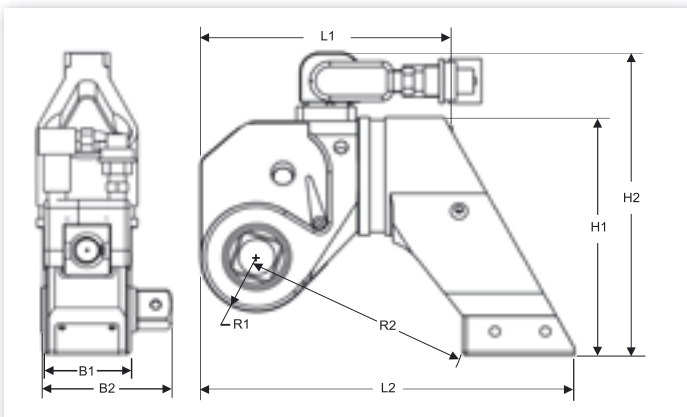


**Dependable, Accurate** - **alkitorc AT-Series** gets the job done even in the most hostile environment.



**alkitorc's** patented housing makes the difficult job, easier.

- **Unique Drive Pawl Design** - for unrivaled durability accuracy and efficiency.
- Long-term consistent torque accuracy through 2-hydraulic hose system.
- Easy plug in, or modification of the square drive from loosening to tightening of bolt connections.
- **alkitorc AT-SERIES - Proven!** We provide a better engineered tool at competitive prices. Our tools are designed for longer life so your total cost of *ownership* is less with **alki-Technik**.



## Accessories

### for the AT-Series Tool

- Extended & Short Reaction Arm
- Square Drives
- Direct Drives and Sockets
- Impact Sockets
- Square & Hex Drive Accessories
- Hex stock
- Custom Engineered Solutions

## ZUBEHÖR ACCESSORIES



Drehmomentschrauber AT  
Kombi-Drehmomentschrauber ATZ  
Torque Wrench AT  
Convertible Type Torque Wrench ATZ

**alkitorc**

Type / Ref-No.		AT 1	AT 3	AT 5	AT 8	AT 10	AT 25
Square Drive Size		3/4"	1"	1 1/2"	1 1/2"	1 1/2"	2 1/2"
Optional Square Drive Sizes		1/2 - 1"	3/4 - 1 1/2"	1 - 2 1/2"	1 - 2 1/2"	1 - 2 1/2"	1 1/2 - 3 1/2"
Range Optional Hex Drive Sizes		3/8 - 1"	5/8 - 1 1/4"	1 - 1 1/2"	1 1/8 - 1 3/4"	1 1/4 - 2"	1 5/8 - 2 1/4"
Torque Range	Nm	190 - 1900	400 - 4200	680 - 7800	1100 - 11500	1500 - 15600	3400 - 34600
	ft.lb	140 - 1400	300 - 3100	500 - 5700	800 - 8800	1100 - 11500	2500 - 25500
Weight; Includes Reaction Arm	kg	2.3	4.5	7.7	11.3	13.6	31.8
L1 - Body Length	mm	122	160	180	196	224	300
L2 - Overall Length; Includes Arm	mm	177	244	285	319	353	470
H1 - Tool Height	mm	92	125	146	165	199	244
H2 - Overall Height; Includes Swivel	mm	126	172	196	216	231	293
W1 - Tool Width	mm	50	67	80	91	100	133
W2 - Tool Width; Includes Sq. Dr.	mm	72	99	118	129	143	190
R1 - Tool Radius around the Bolt	mm	25	29	40	45	50	66
R2 - Reaction Reach	mm	98	135	156	177	195	287

alkiTechnik reserves the right to change specifications without prior notice

D-85051 Ingolstadt  
Phone +49 841 97499-0, Fax +49 841 97499-90  
info@alkitechnik.de, www.alkitechnik.de

**alki**  
**TECHNIK**  
GMBH